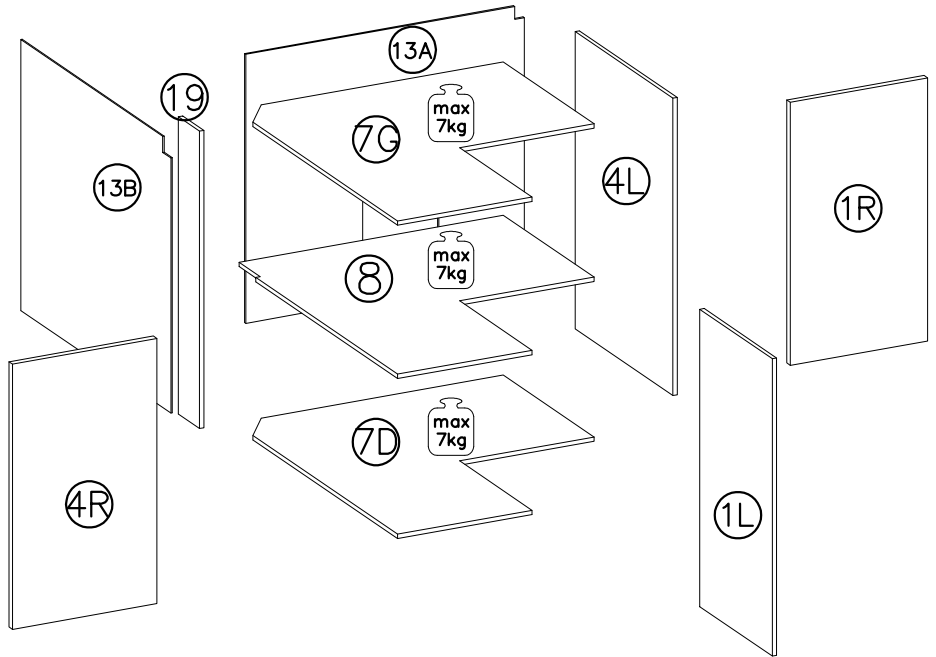
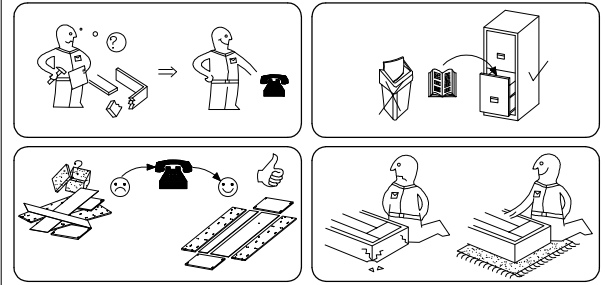
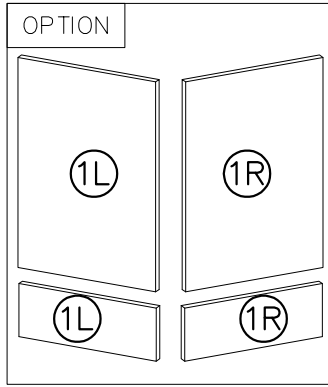
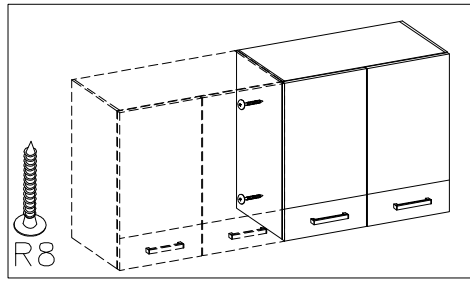
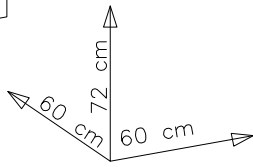
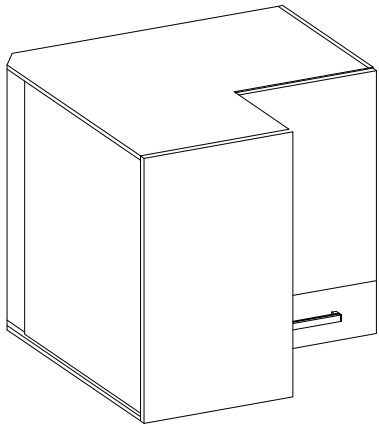
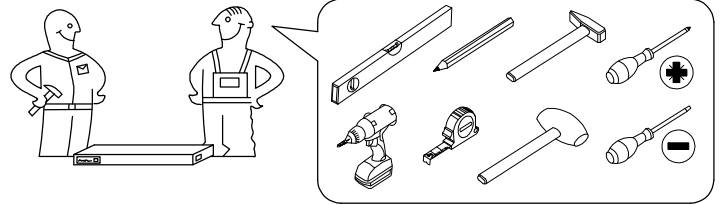


# KITCHEN 54G



## Package No 1

4L	720x300	4R	720x300
7G	54G-584x584	8	54G-565x565
7D	54G-584x584		
19	54G-688x92	13A	54G-703x570
		13B	54G-703x500

## Package No 2

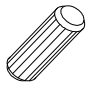




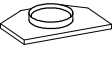
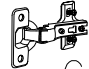
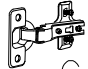

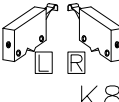

1R	54G-288x716
1L	54G-280x716
S1	M4.0x27mm R2
1	2

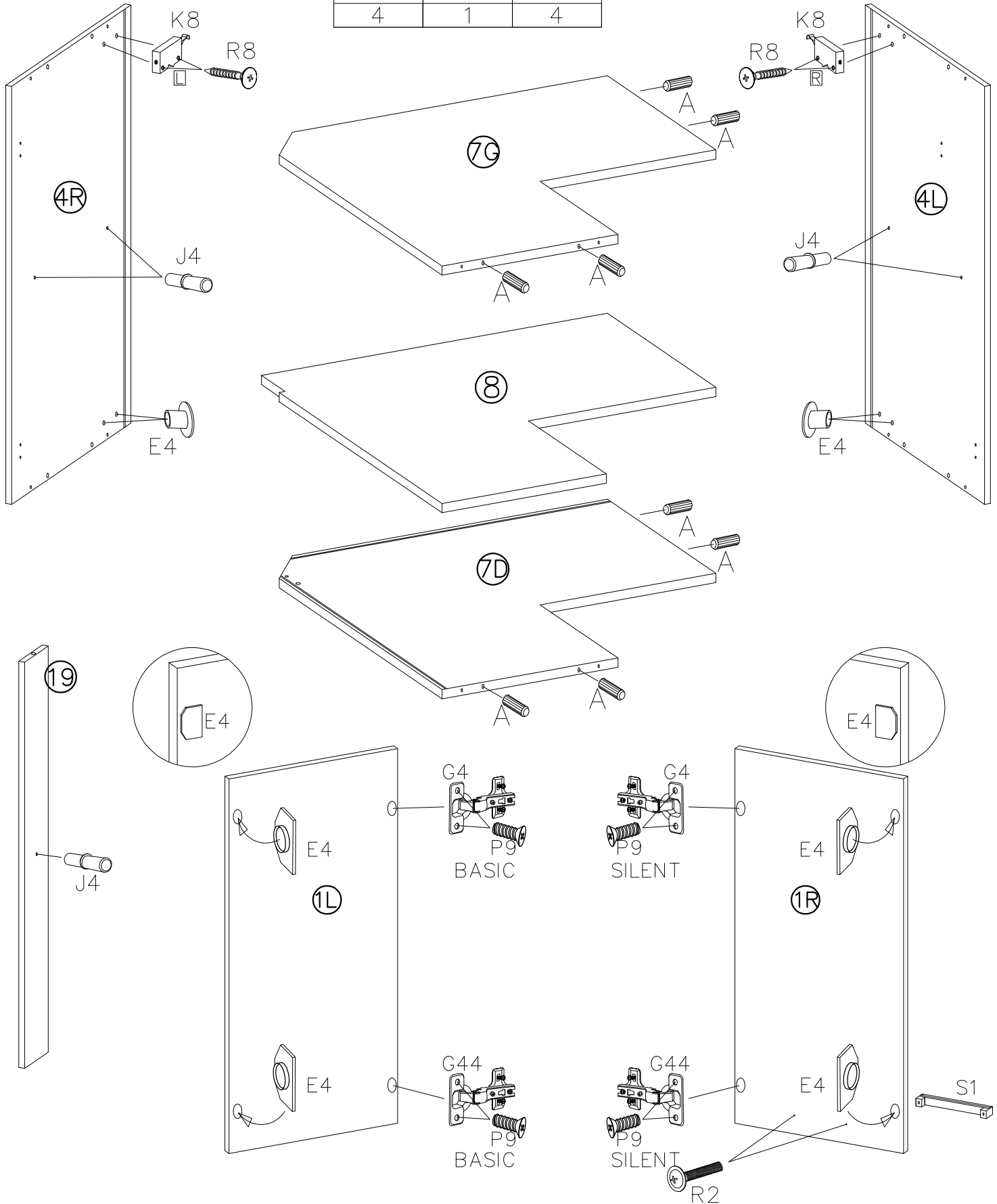
## OPTION

Ø8x40mm	Ø15/12mm	L-46	
A1	C	D2	E
6	8	4	8



Ø8x30mm						Ø35/175* SILENT	Ø35/175* BASIC
A	B	O	F10	L	J4	G4	G4
8	10	1	7	10	5	2	2
	Ø3.5x16mm			Ø5.0x13mm	Ø3.5x30mm	Ø3.0x16mm	
E4	P4	K9	K8	P9	R8	P1	E4
4	6	2	1	8	6	7	4

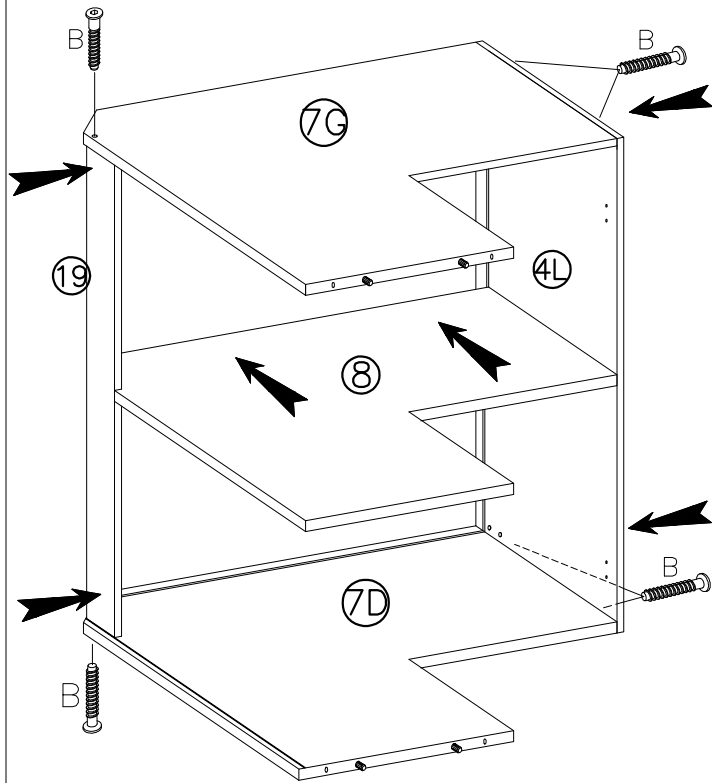
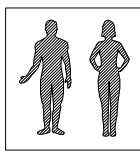
1

$\varnothing 8 \times 30 \text{mm}$  A 8	$\varnothing 5.0 \times 13 \text{mm}$  P9 8	 J4 5	 S1 1	$M4.0 \times 25 \text{mm}$  R2 2	 E4 4	$\varnothing 35/175^\circ$ SILENT  G4 2	$\varnothing 35/175^\circ$ BASIC  G4 2
			$\varnothing 3.5 \times 30 \text{mm}$  R8 4	 K8 1	 E4 4		





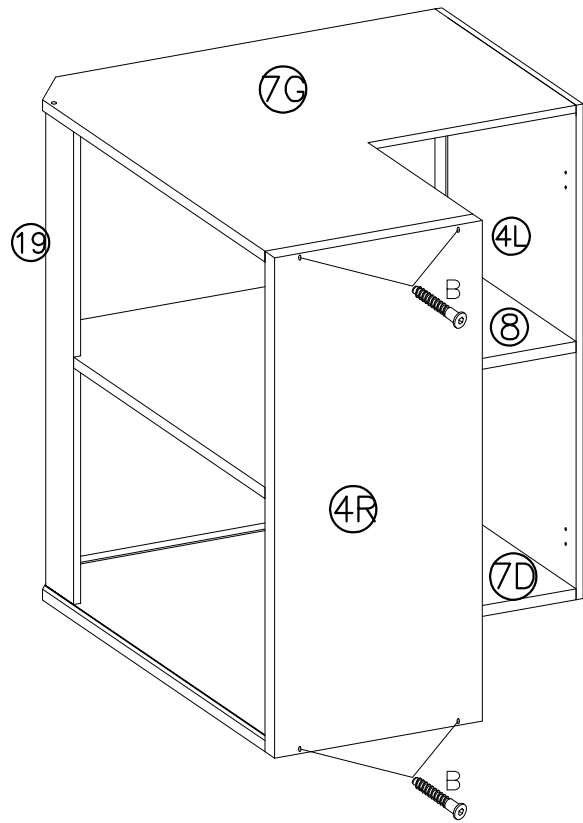
2

	
B	O
6	1


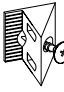



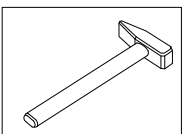
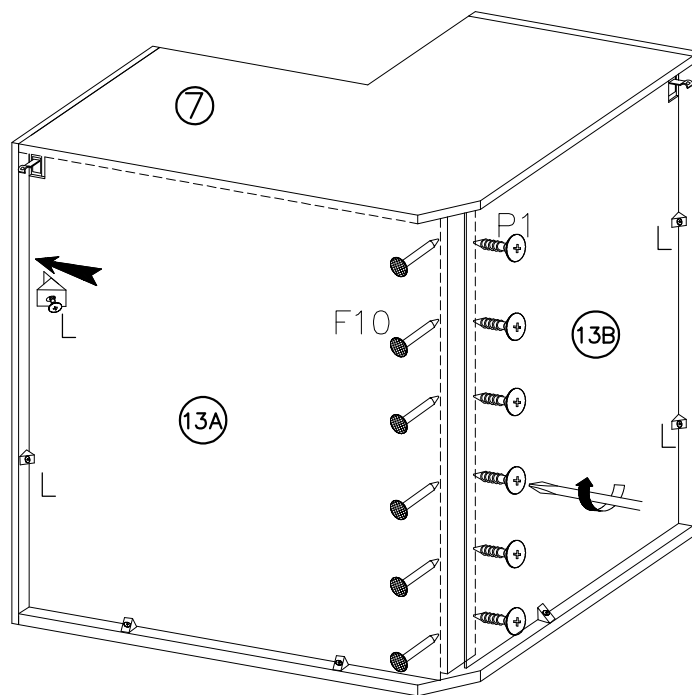
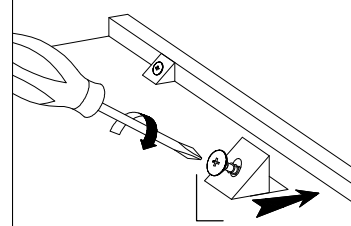
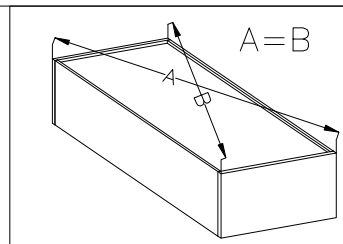
3

	
B	O
4	1

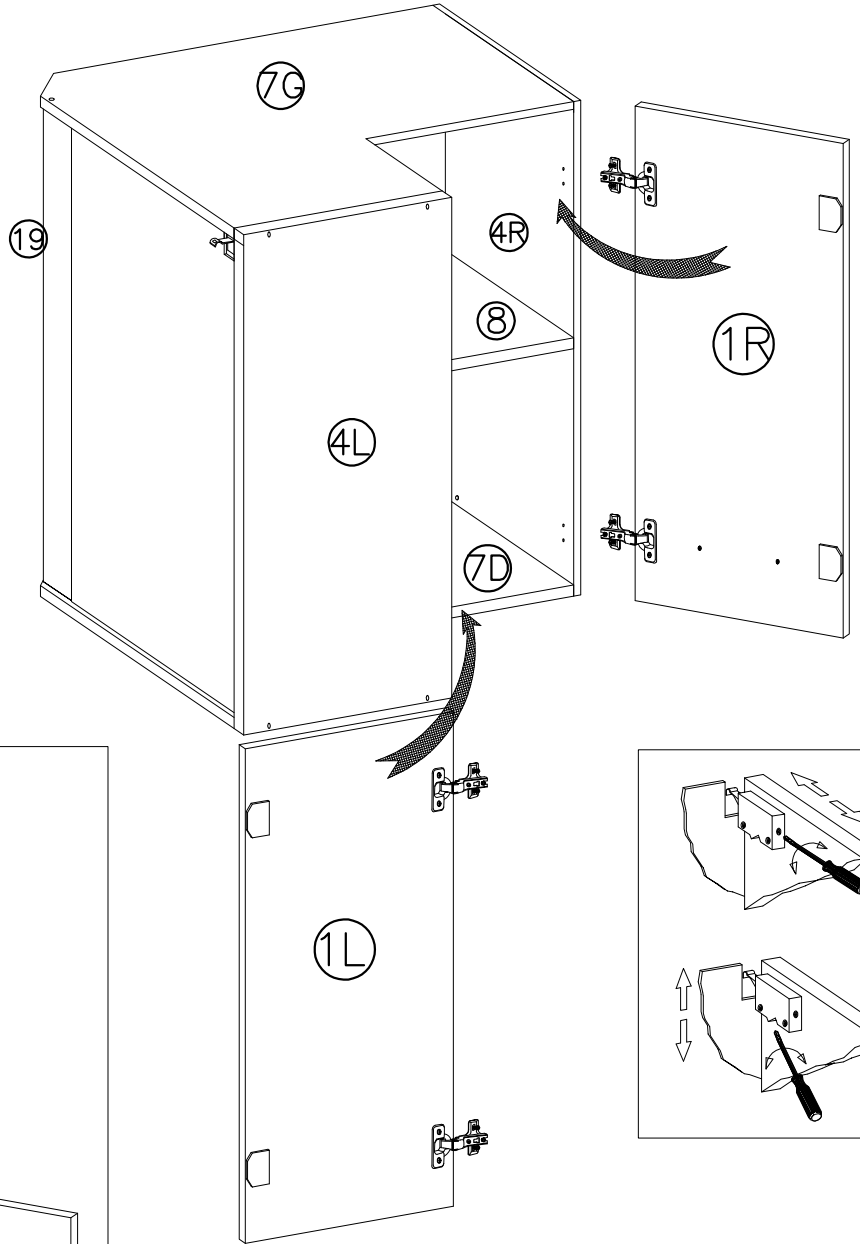
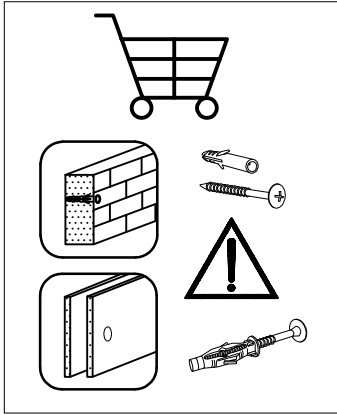
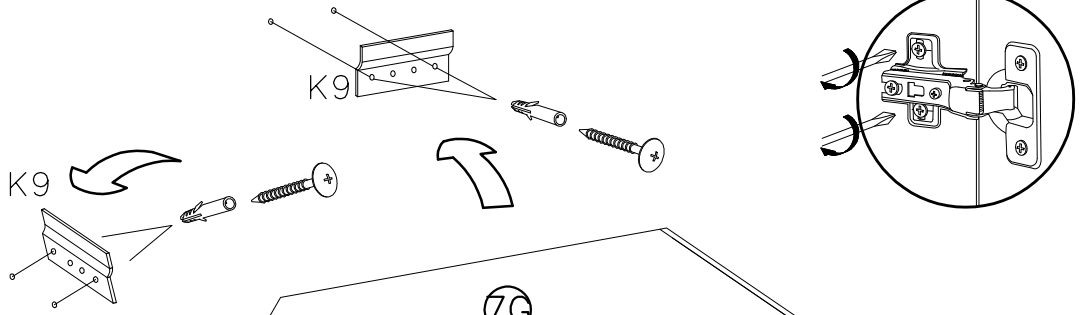
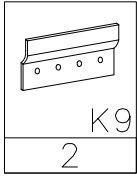


4

		$\varnothing 3.0 \times 16 \text{mm}$ 
F10	L	P1
7	10	7



5



OPTION

∅8x40mm	∅15/12mm	L-46	
A1	C	D2	E
6	8	4	8

